

SPEAKERS – Up to 8 Watts Exde, Weatherproof DB20 Range



Introduction

This range of loudspeakers, intended for use in potentially explosive atmospheres, has a power rating of up to 8 Watts and is suitable for use in the harsh environmental conditions found offshore and onshore in the oil, gas and petrochemical industries.

The body and cover are manufactured from a UV stable glass reinforced polyester. The flare is manufactured from UV stable ABS.

Stainless steel screws and mounting stirrup are incorporated to ensure a corrosion-free product.

- ★ Zone 1 & 2 (and Zone 21 & 22 : IIC version) plus non-Ex use
- ★ ATEX Approved Ex II 2G Ex de IIB T3/T4*
- ★ IIC Gas Group and Dust approved version available.
- ★ BASEEFA certified.
- ★ Brazilian (Inmetro) certified.
- ★ IECEx Approved
- ★ IP66.
- ★ Certified temperature -50°C to $+70^{\circ}\text{C}$ *
- ★ GRP corrosion-free flamepath.
- ★ 112dB(A) at 8 watts at 1 metre (IIB Version)
- ★ Power tapings via integral transformer.
- ★ Ratcheted swivel mounting stirrup
- ★ Stainless steel fixtures.
- ★ 100V or 70V line versions available.
- ★ Earth continuity available.

*Temperature class relates to ambient temperature (see over)

MEDC Ltd, Colliery Road,
Pinxton, Nottingham NG16 6JF, UK.
Tel: +44 (0)1773 864100
Fax: +44 (0)1773 582800

MEDC International, 5829 West Sam Houston Parkway,
North, Suite 1005, Houston, Texas 77041, USA.
Tel: +1 (713) 937 9772
Fax: +1 (713) 937 9773

MEDC Norway, Auglaendsmyrå 6,
4016, Stavanger, Norge.
Tel: +47 913 92 289
Fax: +47 914 46 030

Sales Enq. Fax: +44 (0)1773 582830 Sales Orders Fax: +44 (0)1773 582832
E-Mail: sales@medc.com Web: www.medc.com



Specification

Rated Power: 8 Watts RMS continuous (at 25°C).
 Certification: EN60079-0, 1, 7
 IEC60079-0, 1, 7 and IEC 61241-0, 1
 BASEEFA Cert. No. BASEEFA 05 ATEX0199X

IIB version: $\text{Ex d} \text{IIB T3/T4}^*$
 Zone 1 & 2

IIC version: $\text{Ex d} \text{IIC T4/T5}^*$
 Ex tD A21 IP65 T130°C
 Zone 1 & 2 and Zone 21 & 22
 *See Certified temperature below
 Brazilian (Inmetro) Certified: BR-Ex de IIB T3/T4
 BR-Ex de IIC T5/T1 15°C

Material: Body & Cover - UV stable, glass reinforced polyester.
 outer flare - UV stable ABS.
 Mounting stirrup and fixtures in stainless steel.

Finish: Natural black or painted or to client's requirements.

Output IIB version: Maximum output at 1W/1M is 103 dB(A)
 Maximum output at 4W/1M is 109 dB(A)
 Maximum output at 8W/1M is 112 dB(A)

IIC version: Maximum output at 1W/1M is 100 dB(A)
 Maximum output at 4W/1M is 106 dB(A)
 Maximum output at 8W/1M is 109 dB(A)

Weight: 1.5kg approx.

Certified Temperature:
 IIB version: Tamb -50°C to +70°C (T3) and Tamb -50°C to +40°C (T4)
 IIC version: Tamb -50°C to +70°C (T4) and Tamb -50°C to +40°C (T5)

Ingress Protection: IP66

Frequency Range: 400Hz to 7kHz.

Voice Coil Impedence: 8 ohms.

Transformer: Used by combining the rated power tapings below.

Transformer Tappings	Power (Watts)	
	(8W unit)	(4W unit)
1:2	8.00	4.00
2:3	4.00	2.00
3:4	2.00	1.00
1:3	1.50	0.75
2:4	0.75	0.38
1:4	0.40	0.20

Terminals: 4 x 2.5mm².

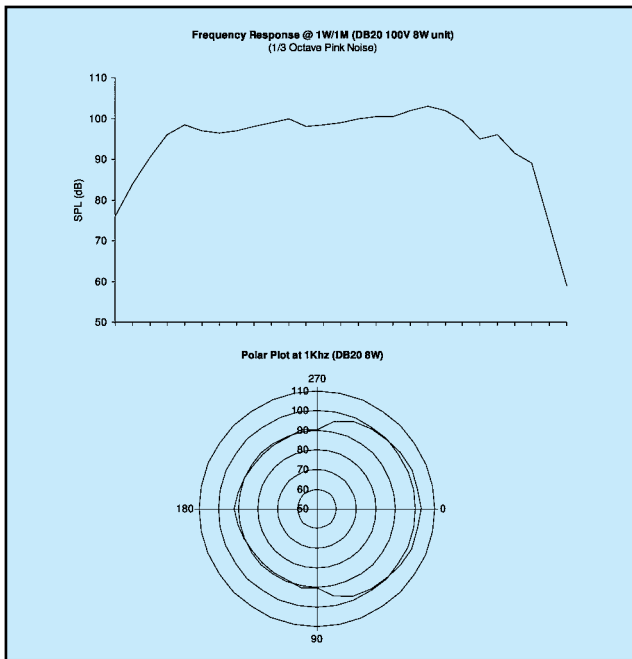
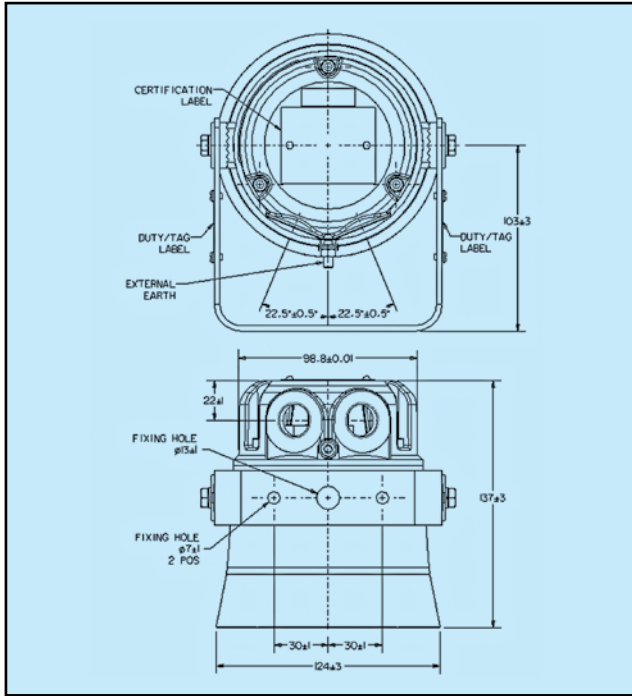
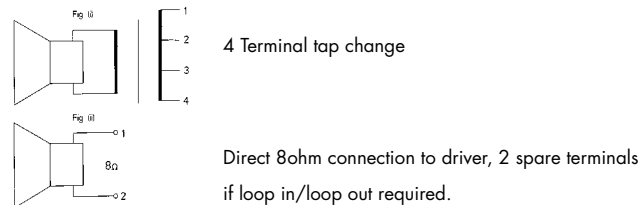
Earth Continuity: Available

Mounting: Via stirrup with ratchet facility.

Labels: Optional stainless steel tag and duty labels.

Cable Entries: ATEX & IEC 2 x M20 ISO + 1 x certified plug

Transformer Tapping Options:



Ordering Requirements

Certification		Max Rated Power		Transformer		Options		Finish	
DB20									
Certification	Code	Power	Code	Transformer	Code	Option	Code	Option	Code
ATEX IIB	BB	8 Watts	8	Transformer	X*	None	N	Natural Black	N
ATEX IIC	BC	4 Watts	4	8ohm version	N	Duty label	D	Red	R
IEC Ex IIB	JB					Tag label	T	Special	S
IEC Ex IIC	JC					Earth continuity	E		
Inmetro IIB	MB								
Inmetro IIC	MC								
Weatherproof	W								

*ATEX = 100V Line
 70V Line available
 please specify



All the above specifications, dimensions, weights and tolerances are nominal (typical) and MEDC reserve the right to vary all data without prior notice. No liability is accepted for any consequence of use