

SPEAKERS – Up to 15 Watts for Harsh Industrial & Marine Environments DB14 Range

**IP66/67
Weatherproof
Corrosion Free
All GRP**



Introduction

This range of loudspeakers has a power rating of 15 Watts and is suitable for use in demanding environments where a robust construction and high ingress protection rating is required.

The body is manufactured completely from a UV stable glass reinforced polyester which is also highly flame retardant and impact resistant. Stainless steel screws are incorporated thus ensuring a corrosion free product.

MEDC can also provide a range of sounders suitable for use in potentially explosive atmospheres.

For more information, refer to the catalogue or contact MEDC.

- ★ IP66 and IP67.
- ★ Temperature range -55°C to $+70^{\circ}\text{C}$.
- ★ GRP corrosion-free construction.
- ★ 117dBa at 15 watts at 1 metre.
- ★ 100V line transformer.
- ★ Power tapping, via integral transformer.
- ★ Addressable capability.
- ★ Stainless steel ratcheted mounting bracket.
- ★ Earth continuity available.
- ★ Natural grey finish to RAL 7035.
- ★ BS5839 part 8 compliant version available.

MEDC Ltd, Colliery Road,
Pinxton, Nottingham NG16 6JF, UK.
Tel: +44 (0)1773 864100
Fax: +44 (0)1773 582800

MEDC International, 5829 West Sam Houston Parkway,
North, Suite 1005, Houston, Texas 77041, USA.
Tel: +1 (713) 937 9772
Fax: +1 (713) 937 9773

MEDC Norway, Auglaendsmyraa 6,
4016, Stavanger, Norge.
Tel: +47 51 82 98 98
Fax: +47 51 82 98 91

Sales Enq. Fax: +44 (0)1773 582830 Sales Orders Fax: +44 (0)1773 582832
E-Mail: sales@medc.com Web: www.medc.com



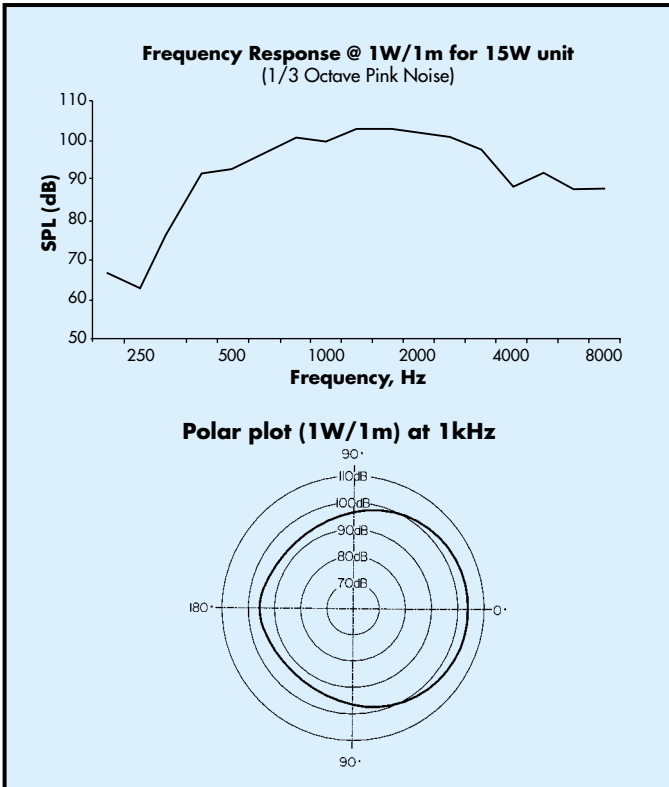
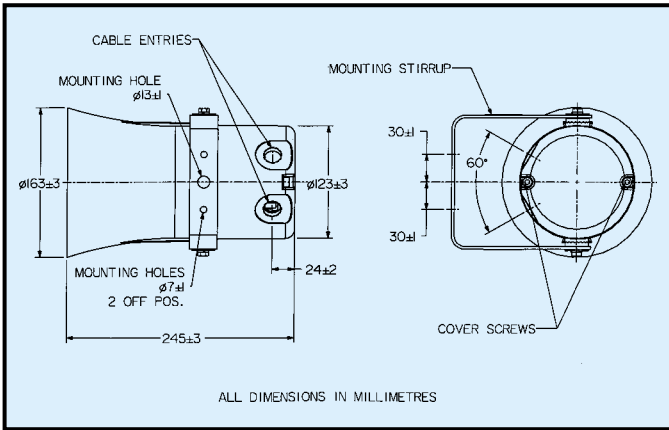
Specification

Rated Power:	15 watts RMS continuous (at 25°C).
Material:	Body & horn in UV stable, glass reinforced polyester. Swivel bracket in stainless steel. Cover screws in stainless steel.
Finish:	Body and horn, natural grey to RAL 7035 or epoxy paint coated to client's colour requirements.
Output:	Maximum output at 1W/1m at 900Hz is 107 dBA. Maximum output at 15W/1m at 900Hz is 117 dBA.
Weight:	2.6kg approx. dependent on model.
Temperature Range:	-55°C to +70°C.
Ingress Protection:	IP66 & IP67.
Frequency Range:	400Hz to 7kHz.
Voice Coil Impedance:	8 ohms.
Addressable:	Consult MEDC for specification.
Terminals:	8 x 2.5mm ² . Other terminal arrangements available on request.
Earth Continuity:	Available.
Mounting:	Bracket with ratchet facility.
Labels:	Duty and tag labels optional.
Cable Entries:	2 x 20mm ISO.
Transformer:	Used to vary the rated power by selecting different tapings (see table below).

Transformer Tappings	Power 15W
1:2	15.0
2:3	7.5
3:4	5.0
1:3	4.0
2:4	2.0
1:4	0.8

Transformer Options:

- Standard Tapping: Loop in/Loop out (4 x 2) terminal tap change (8 terminals).
 - Optional Tapping: 4 terminal tap change with 2 terminals (5 & 6), directly connected to driver (8 ohms).
- Other tapings & driver impedances available on request.



Ordering Requirements

The following code is designed to help in the selection of the correct unit. Build up the reference number by inserting the code for each component into the appropriate box. **Standard products, available ex-stock, as follows:**

Product	Description
DB14XNN	15 Watt Industrial & Marine Loudspeaker, up to 117dB(A), 2 x 20mm entries, natural grey GRP.

Transformer	Code
Yes	X*
None	N
*Standard 100V Other voltages available, specify voltage.	

Option	Code
Duty label	D*
Tag label	T*
Earth continuity	E
BS5839, part 8 compliant	PT8
None	N
*Please specify wording	

Colour	Code
Natural Grey	N
Red	R
Special	S*
*Please specify	



All the above specifications, dimensions, weights and tolerances are nominal (typical) and MEDC reserve the right to vary all data without prior notice. No liability is accepted for any consequence of use.